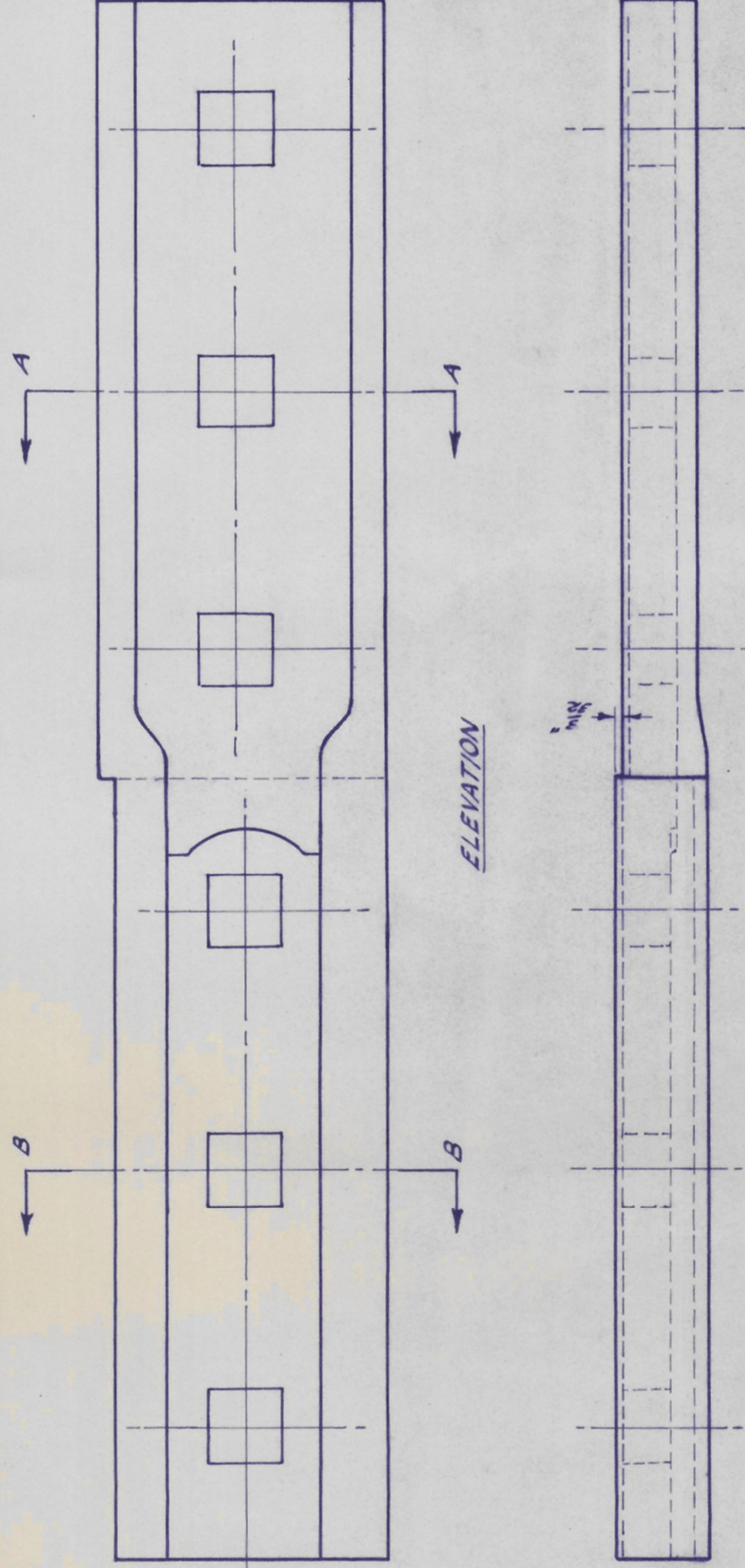
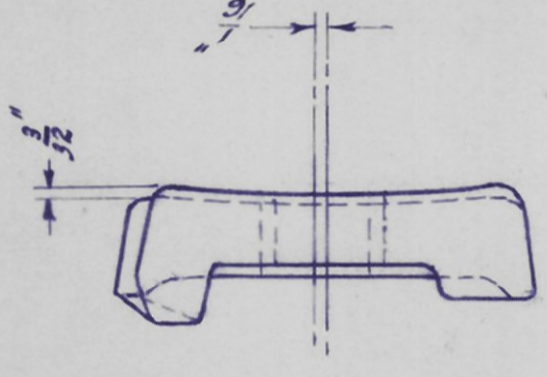


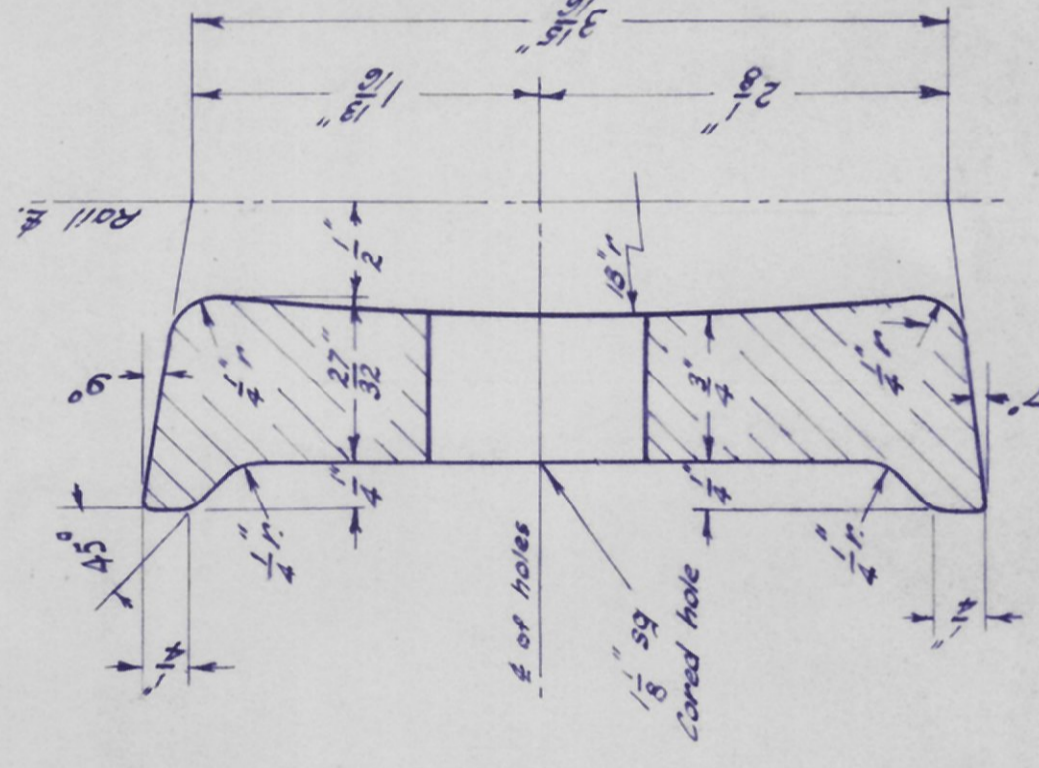
PLAN
90 lb LORAIN to 102 lb BHP
Scale :- 6" = 1'-0"
Material :- Cast Steel.



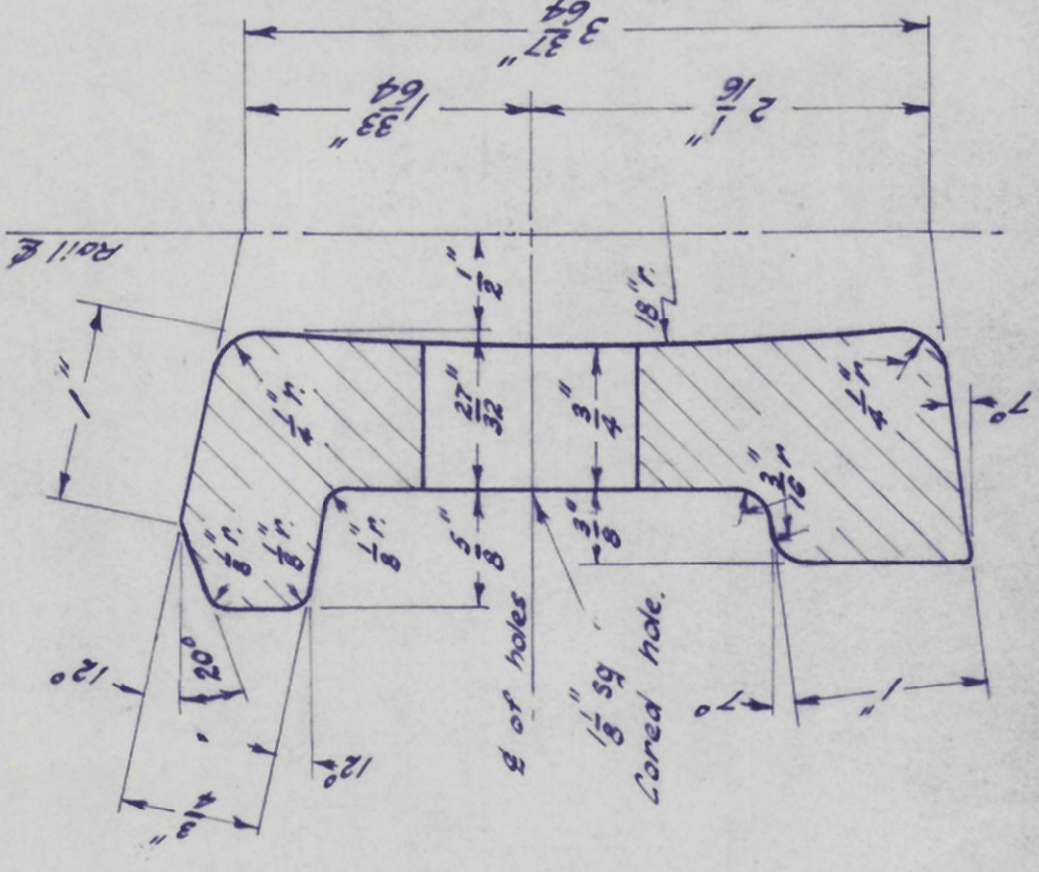
PLAN
102 lb BHP to 90 lb LORAIN
Scale :- 6" = 1'-0"
All dimensions same as 90 lb LORAIN to 102 lb BHP.



VIEW C-C



SECTION A-A
Scale :- Full Size



SECTION B-B
Scale :- Full Size

REVISION	DATE	REMARKS	CHECKED	PASSED	DRAWING SCHEDULE	TITLE	DRAWING NO.

INNER JOGGLE PLATES
90 lb LORAIN to 102 lb BHP & 102 lb BHP to 90 lb LORAIN
TRAMWAYS
SCALE :- AS SHOWN

SUB SECTION No. 3	DRG. No. VW 4/6
DRAWN GEM 7/55	WORKS MANAGER
TRACED	
CHECKED	
ENGINEER	